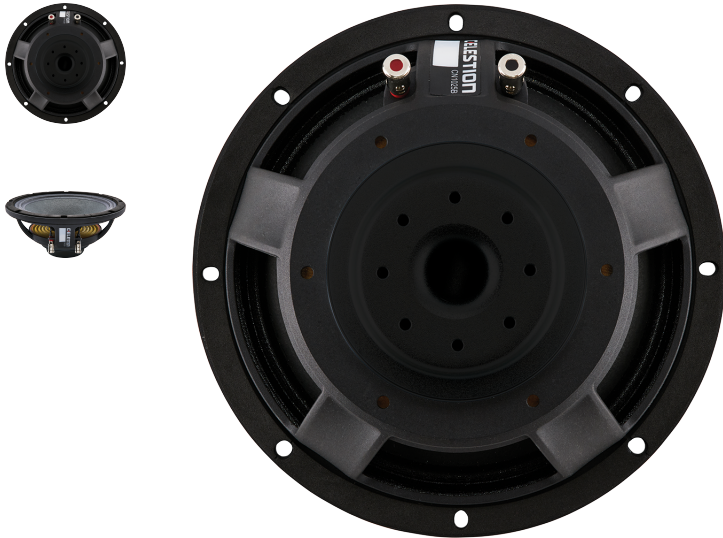


Legacy Loudspeakers

CN1025B (Legacy)

10-inch cast aluminium chassis, neodymium magnet
mid/bass driver



- **Inverted dustcap for closer positioning of phase plug**
- **Balanced Airflow Venting provides enhanced cooling**

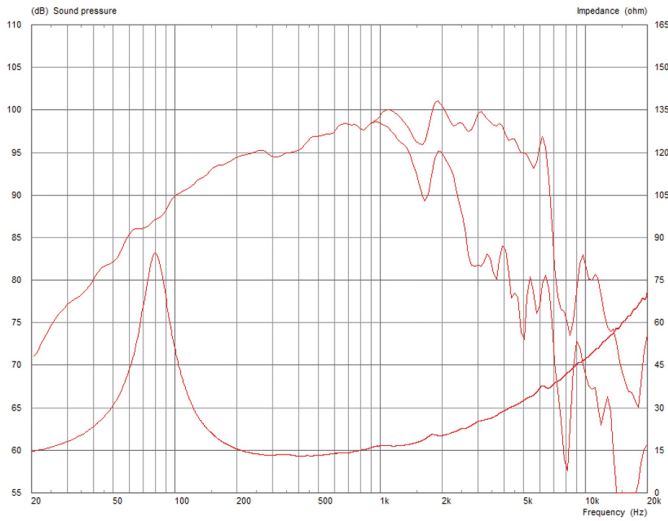
General Specifications

Nominal Diameter	254mm / 10in
Power Rating	250W
Continuous power rating	500W
Rated impedance	16 Ω
Sensitivity	99dB
Frequency range	60-5000Hz
Chassis type	Cast aluminium
Magnet type	Neodymium
Voice coil diameter	64mm / 2.5in
Voice coil material	Copper clad aluminium
Former material	Glass fibre
Cone material	Treated paper
Surround material	Cloth-sealed
Suspension	Single
Gap height (Hg)	8mm / 0.31in
VC winding height (Hvc)	12.2mm / 0.49in

Mounting Information

Overall diameter	265mm / 10.4in
Overall depth	119mm / 4.7in
Cut-out diameter	233mm / 9.2in
Mounting hole dimensions	8x6.5mm / 0.3x0.25in
Number of mounting holes	8
Mounting hole PCD	244.5-247mm / 9.63-9.73in
Unit weight	2.96kg / 6.5lb

Frequency Response and Impedance Curves



Power rating: Tested for two hours using a continuous, band-limited pink noise signal as per AES standard. Power calculated on minimum impedance. Loudspeaker tested in free air.

Continuous power rating: Defined as 3dB greater than the AES rating.

Sensitivity: Measured on axis at 1W, 1m in 2 anechoic environment.

Parameters: Measured after unit subjected to pre-conditioning signal.

Xmax: Hvc-Hg/2

Parameters

Sd	346.36cm ² / 53.69in ²
Fs	79.50Hz
Mms	31.45g / 1.11oz
Qms	3.27
Qes	0.409
Qts	0.364
Re	1076 Ω
Vas	21.65l / 0.75ft ³
Bi	20.31Tm
Cms	0.13mm/N
Rms	4.81kg/s
Le (at 1kHz)	0.75mH
Xmax	2.1mm / 0.08in

Packed Dimensions & Weight

Multi pack qty	80
Multi pack size W x D x H	970mm x 1070mm x 850mm / 38.1in x 42.1in x 33.4in
Multi pack weight	257kg / 565lb

CELESTION