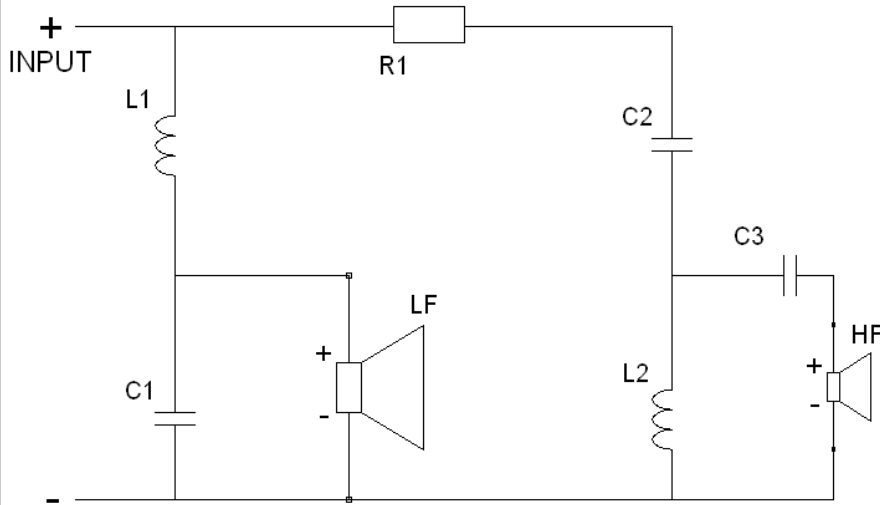


SUGGESTED CROSSOVER DESIGN

TFX0615

Coaxial, pressed steel chassis driver

Crossover Circuit Diagram



General Driver Specifications

Power rating: LF.....150Wrms (AES Standard)
 Power rating: HF.....20Wrms (AES Standard)
 Nominal Impedance: LF.....8Ω
 Nominal Impedance: HF.....8Ω
 Sensitivity: LF.....94dB
 Sensitivity: HF.....98dB
 Overall frequency response.....100Hz-20,000Hz
 Crossover frequency.....2000Hz

Suggested Cabinet Alignment

Volume (Vb).....5lt/0.18ft³
 Tuning frequency (Fb).....95Hz
 Vent diameter (Vd).....35mm/1.4in
 Vent length (Vl).....50mm/2in

Driver Mounting Information

Overall diameter:178mm/7in(max)
 Overall depth.....75.5mm/3in
 Terminal: LF.....Spade, 6.3mm/0.25in
 Terminal: HF.....Spade, 6.3mm/0.25in
 Cut-out diameter.....145mm/5.7in
 Mounting slot dimensions.....Ø4.0mm/0.16in
 Number of mounting slots.....4
 Mounting PCD range.....168.5mm/6.63in
 Unit weight.....2.1kg/4.6lb

Crossover Circuit Components

No.	Component	Value	Description	Additional
R ₁	Resistor	1.5Ω	Ceramic, wirewound	>11W
C ₁	Capacitor	6.0μF	Polyprop, non-polarised	5%>250V
C ₂	Capacitor	1.9μF	Polyprop, non-polarised	5%>250V
C ₃	Capacitor	8.0μF	Polyprop, non-polarised	5%>250V
L ₁	Inductor	1.0mH	Air-cored	<0.3Ω
L ₂	Inductor	0.21mH	Air-cored	<0.3Ω

