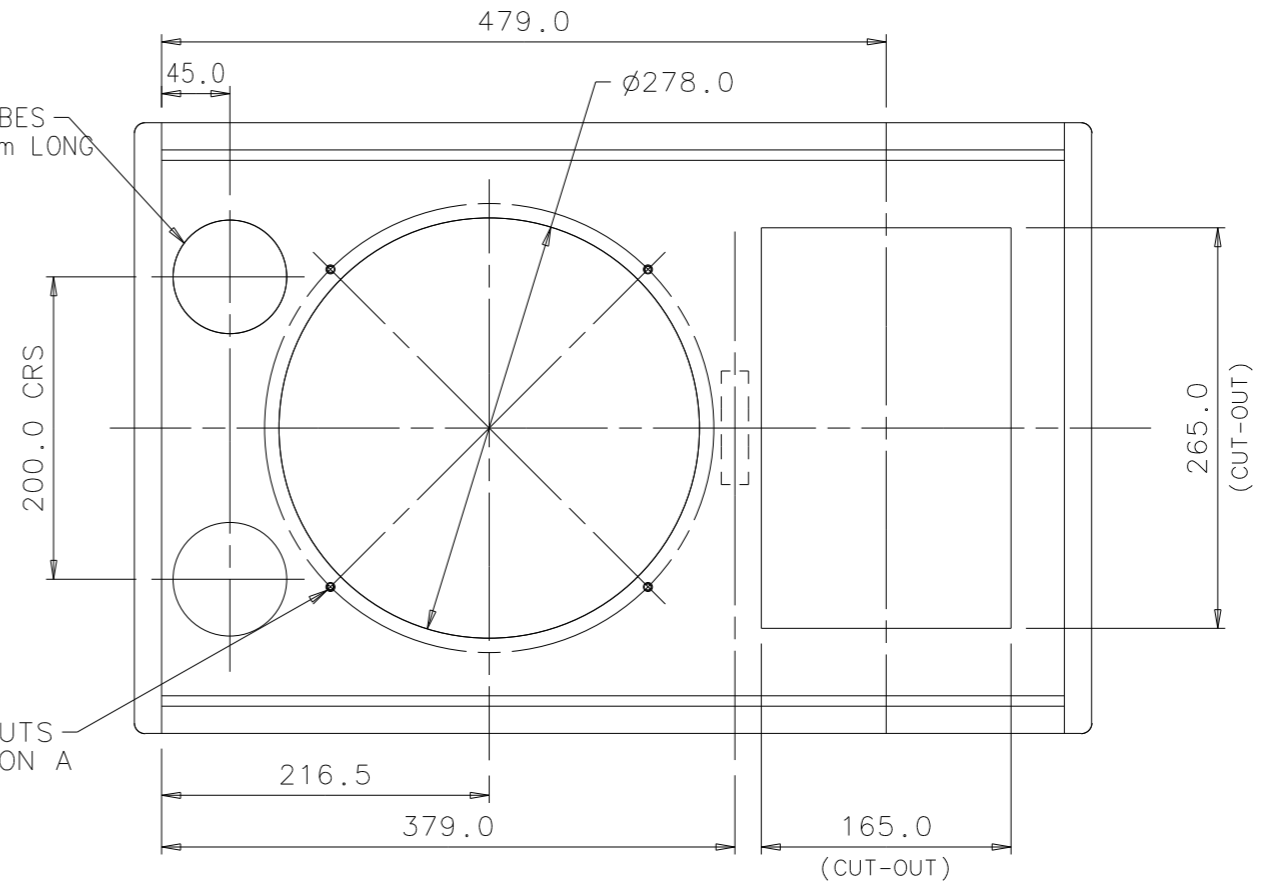
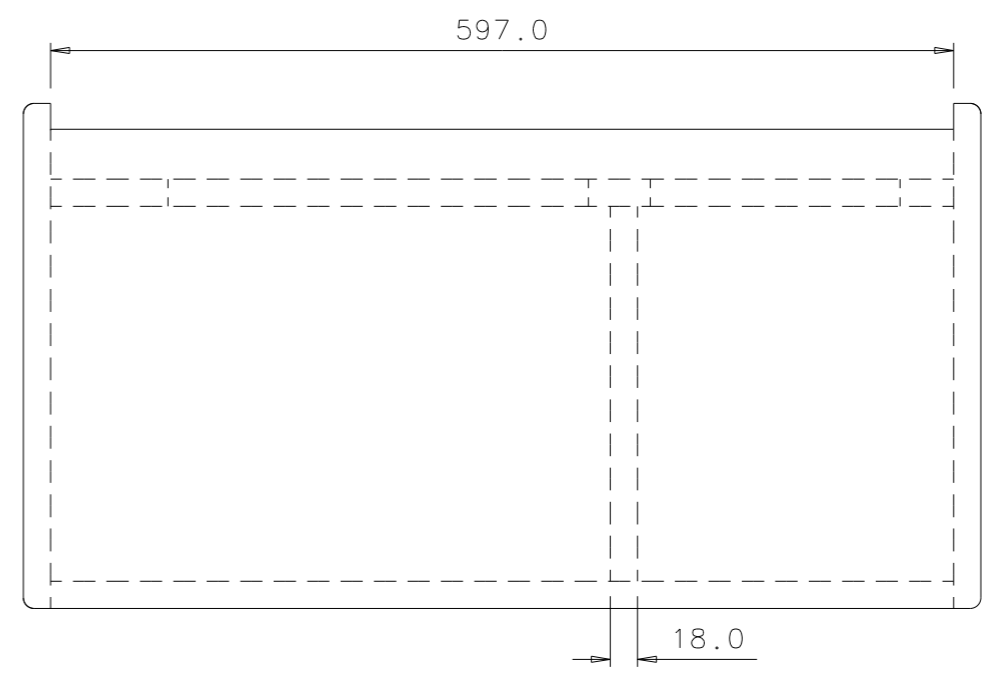
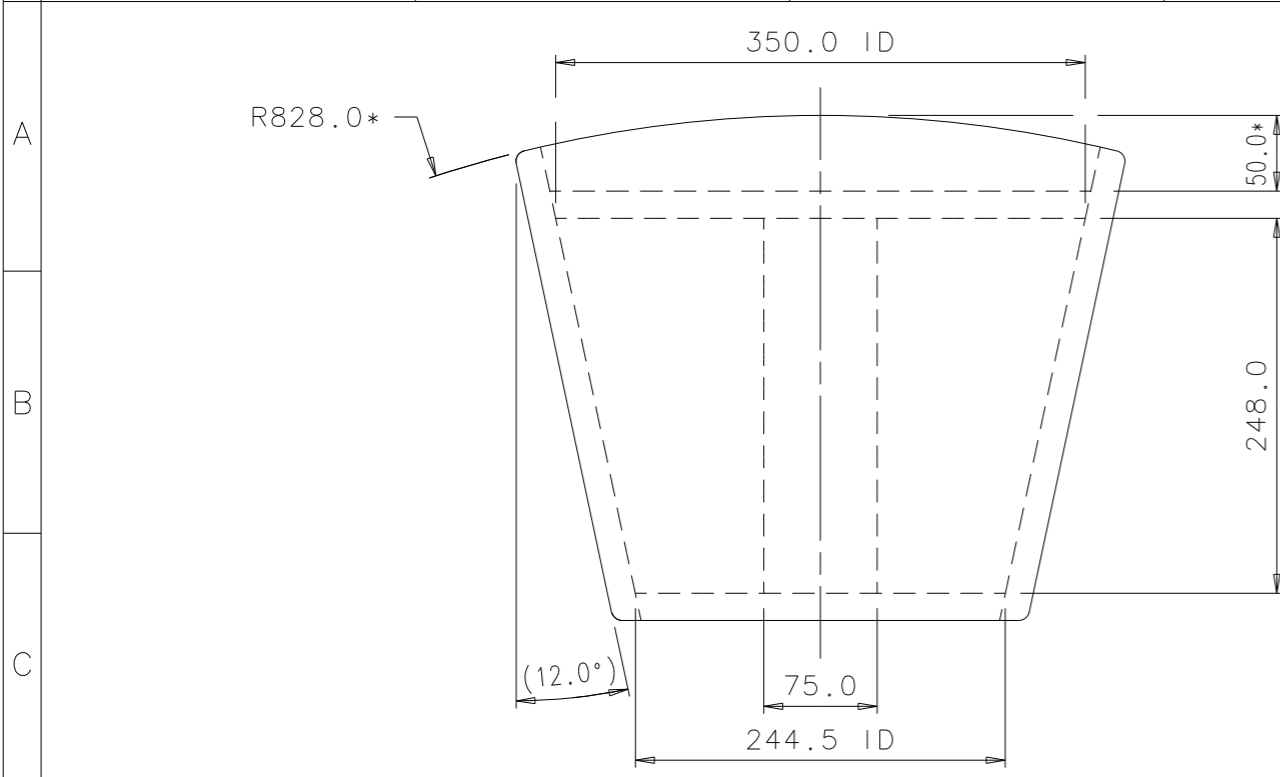


UNLESS OTHERWISE STATED: DIMENSIONS IN MILLIMETRES; REMOVE BURRS AND SHARP EDGES; ALL CASTINGS AND MOULDINGS TO BE FREE FROM SINKS AND BLEMISHES. DO NOT SCALE DRAWING

1	2	3	4	5	6	7	8
---	---	---	---	---	---	---	---



NOTES

* DENOTES DIMENSIONS TO MANUFACTURERS DESIGN

CABINET MATERIAL - 18mm MDF/ 15mm OR 18mm MULTI-LAYER BIRCH PLYWOOD FOR FIXED INSULATION
15mm OR 18mm MULTI-LAYER BIRCH PLYWOOD FOR PORTABLE APPLICATION

CABINET CONSTRUCTION - JOINTS MUST BE AIRTIGHT AND BE SECURELY GLUED & SCREWED TO AVOID UNWANTED VIBRATION.

ACOUSTIC WADDING - COVER THE TOP/BOTTOM/SIDES & REAR PANELS WITH ACOUSTIC WADDING, ENSURE THAT THE WADDING DOES NOT COVER PORT TUBES

DRIVE UNIT FIXING - T NUTS AND FIXING BOLTS ARE RECOMMENDED. USE A SUITABLE GASKET BETWEEN THE DRIVE UNIT & CABINET TO PREVENT AIR LEAKS

CELESTION LOUDSPEAKERS - LF = TF1225 PART No T5311
HF = CDX1-1425 PART No T5344
HORN = H1-9040P PART No T5359

CABINET VOLUME - 44 litres

A	I-9930	11/09/03	ISSUED	
ISSUE	CHANGE NUMBER	DATE	REVISION DETAILS	ZONE

GENERAL TOLERANCE:

X.XX ±

X.X ± 2.0

X ±

ANGLES ± °

METRIC THREADS TO BS3643
FIT 6g TO 6h

MATERIAL:

FINISH:

SIMILAR TO:

CELESTION CELESTION INTERNATIONAL LTD
WEB SITE: www.celestion.com

DRAWN

DATE

CHECKED

APPROVED

JM

PC

IW

TITLE

SCALE

AT A3 1:5

DRAWN TO BS8888

12" KIT

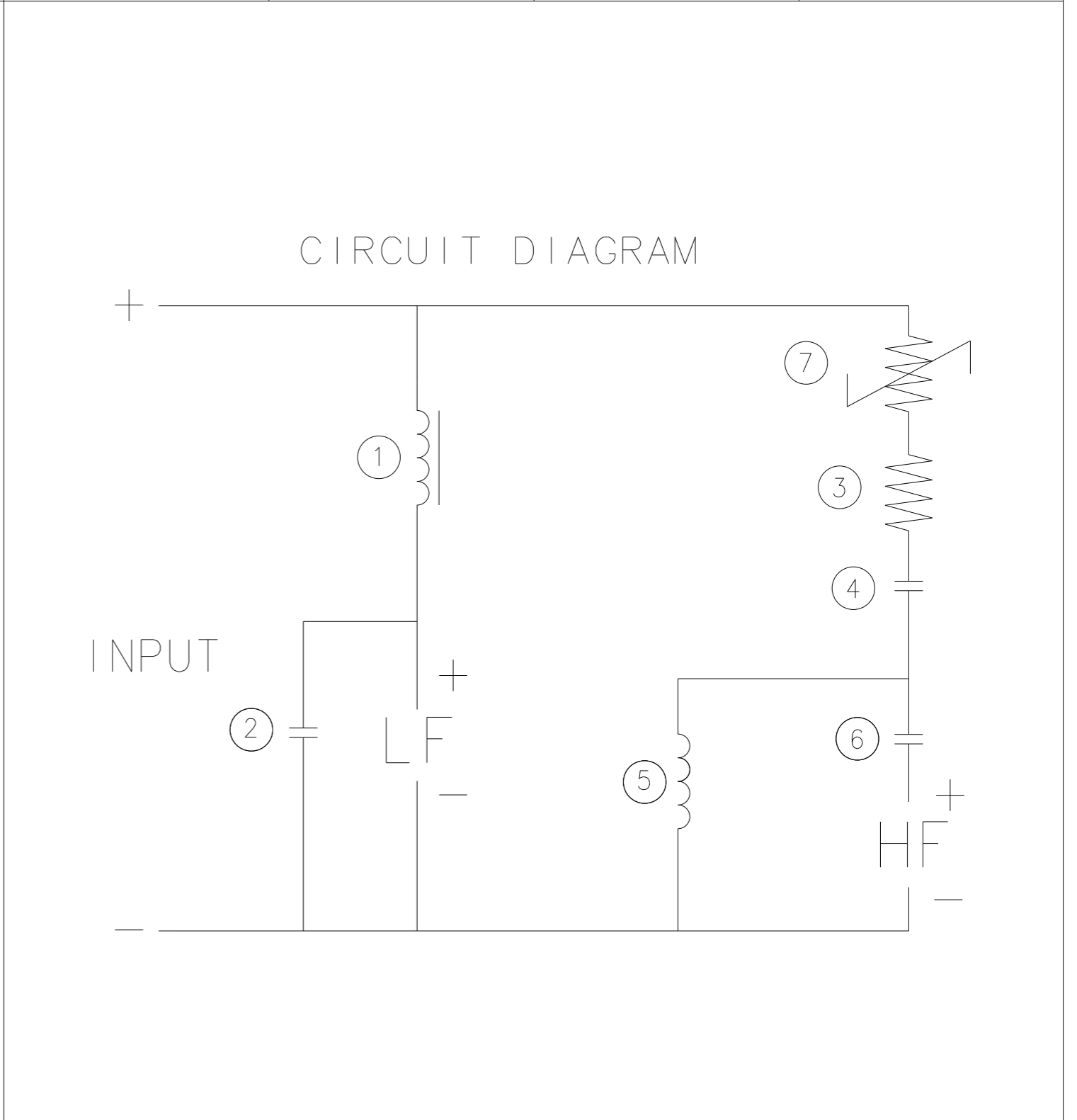
SHEET 1 OF 2

DRG. No. GA878

UNLESS OTHERWISE STATED: DIMENSIONS IN MILLIMETRES; REMOVE BURRS AND SHARP EDGES; ALL CASTINGS AND MOULDINGS TO BE FREE FROM SINKS AND BLEMISHES. DO NOT SCALE DRAWING

	1	2	3	4	5	6	7	8
--	---	---	---	---	---	---	---	---

A	COMPONENTS:							
B	1. INDUCTOR:- INDUCTANCE - 1.6mH±5% DC RESISTANCE - <0.3Ω							
C	2. CAPACITOR:- POLYPROPYLENE/POLYESTER CAPACITANCE - 10μF±5% VOLTAGE RATING - >100V							
D	3. RESISTOR:- CERAMIC WIRE WOUND RESISTANCE - 10Ω±5% POWER RATING - 25W							
E	4. CAPACITOR:- POLYPROPYLENE/POLYESTER CAPACITANCE - 3μF±5% VOLTAGE RATING - 250V							
F	5. INDUCTOR:- INDUCTANCE - 0.16mH±5% DC RESISTANCE - <0.5Ω							
	6. CAPACITOR:- POLYPROPYLENE/POLYESTER CAPACITANCE - 8μF±5% VOLTAGE RATING - >100V							
	7. POLYSWITCH (OPTIONAL):- RAYCHEM RXE110, 60V, 40A MAX, 1.10A HOLD, 2.20A TRIP							



SEE SHEET ONE			GENERAL TOLERANCE:		MATERIAL:		DRAWN		TITLE	
			X.XX ±				DATE		12" KIT	
			X.X ±		FINISH:		CHECKED		SCALE	
			X ±		SIMILAR TO:		APPROVED			
A			ANGLES ± °		CELESTION CELESTION INTERNATIONAL LTD WEB SITE: www.celestion.com		SCALE AT A3 1:1		SHEET 2 OF 2 DRG. No. GA878	
			METRIC THREADS TO BS3643 FIT 6g TO 6H							
ISSUE	CHANGE NUMBER	DATE	REVISION DETAILS		ZONE					