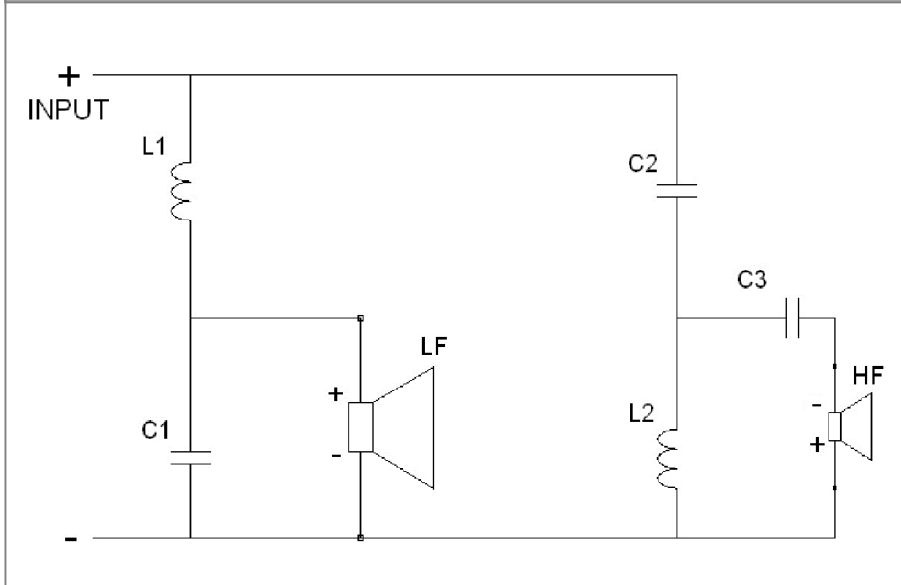


SUGGESTED CROSSOVER DESIGN

FTX1530

Coaxial, cast aluminium chassis driver

Crossover Circuit Diagram



* Note reversal of polarity on HF

General Driver Specifications

Power rating: LF.....400Wrms (AES Standard)
 Power rating: HF.....75Wrms (AES Standard)
 Nominal Impedance: LF.....8Ω
 Nominal Impedance: HF.....8Ω
 Sensitivity: LF.....97dB
 Sensitivity: HF.....106.5dB
 Overall frequency response.....40Hz-18,000Hz
 Crossover frequency.....1500Hz

Suggested Cabinet Alignment

Volume (Vb).....95lt/3.35ft³
 Tuning frequency (Fb).....55Hz
 Vent diameter (Vd).....2x100mm/4in
 Vent length (Vl).....75mm/3in

Driver Mounting Information

Overall diameter.....387mm/15.24in
 Overall depth.....176mm/6.93in
 Terminal: LF.....Spade, 6.3mm/0.25in
 Terminal: HF.....Spade, 6.3mm/0.25in
 Cut-out diameter.....351mm/13.82in
 Mounting slot dimensions.....10x7mm/0.39x0.27in
 Number of mounting slots.....8
 Mounting PCD range.....365-375mm/14.37-14.76in
 Unit weight.....6.5kg/14.3lb

Crossover Circuit Components

| No. | Component | Value | Description | Additional |
|----------------|-----------|--------|-------------------------|------------|
| C ₁ | Capacitor | 20.0μF | Polyprop, non-polarised | 5%>250V |
| C ₂ | Capacitor | 4.0μF | Polyprop, non-polarised | 5%>250V |
| C ₃ | Capacitor | 18.0μF | Polyprop, non-polarised | 5%>250V |
| L ₁ | Inductor | 2.0mH | Air-cored | <0.45Ω |
| L ₂ | Inductor | 0.41mH | Air-cored | <0.2Ω |

